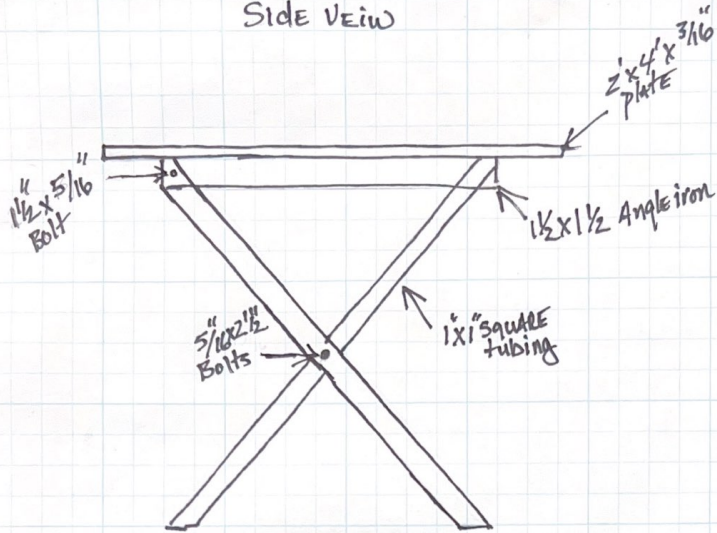
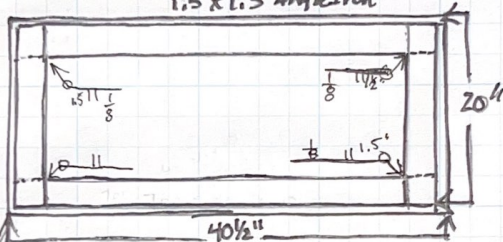


Wildcat Weld off 2024
 Folding table 11.15.24

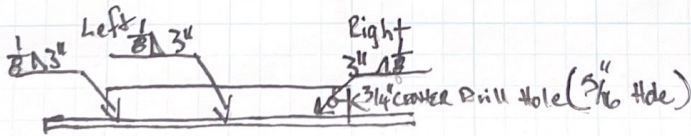
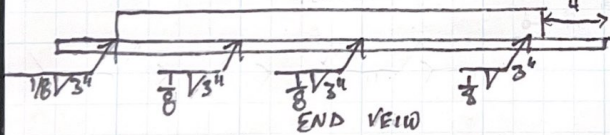
SIDE VIEW



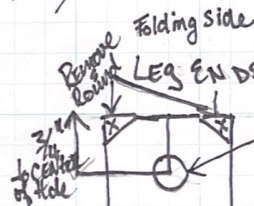
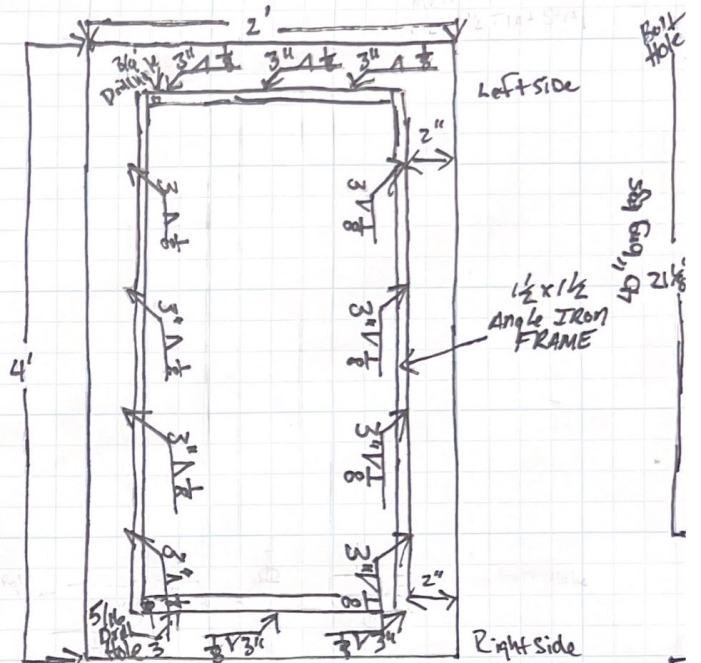
BASE FRAME
 1.5 x 1.5 Ang & Iron



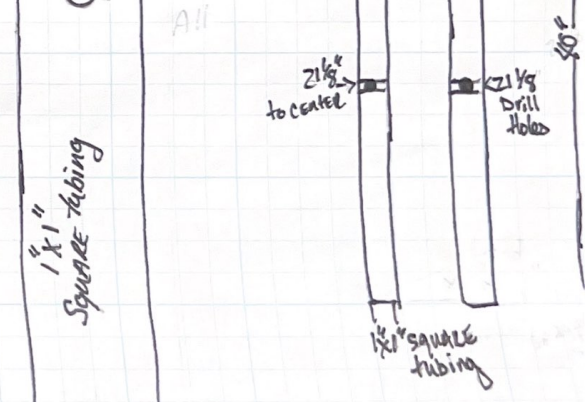
Both Side Views



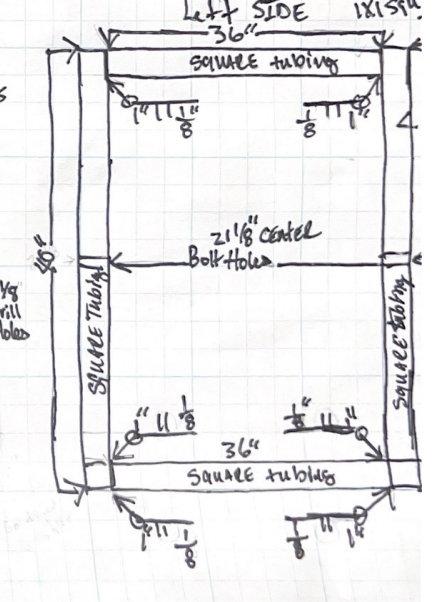
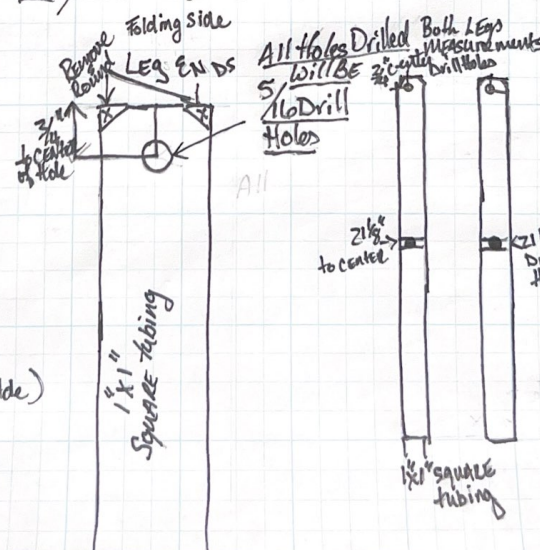
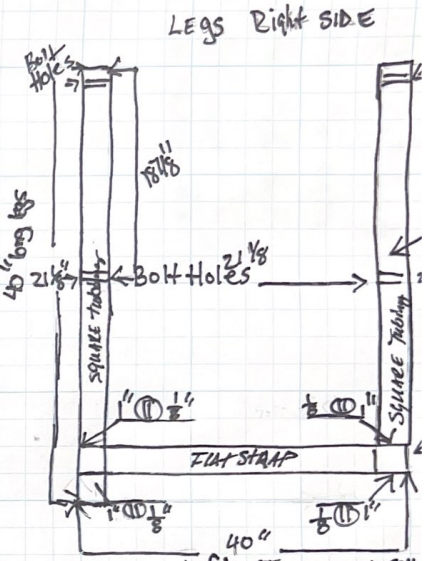
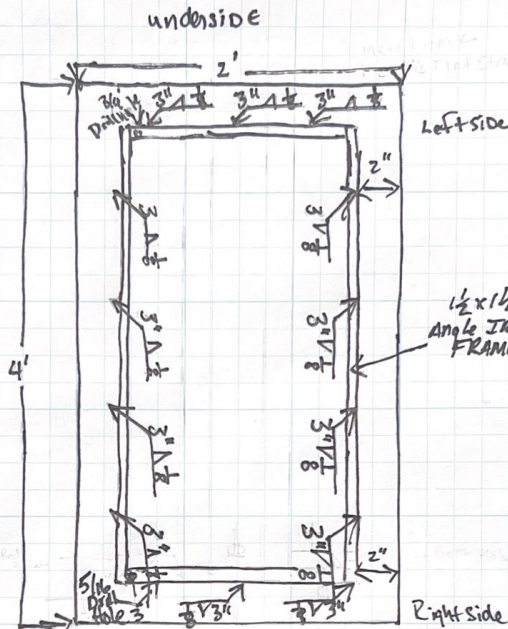
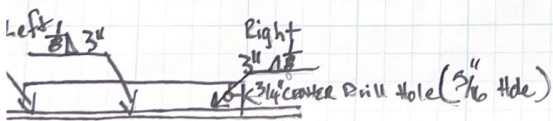
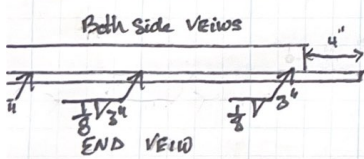
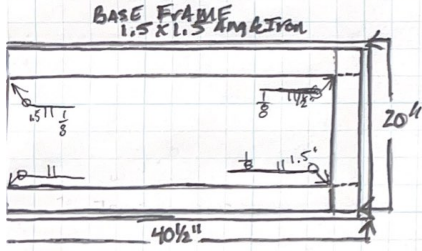
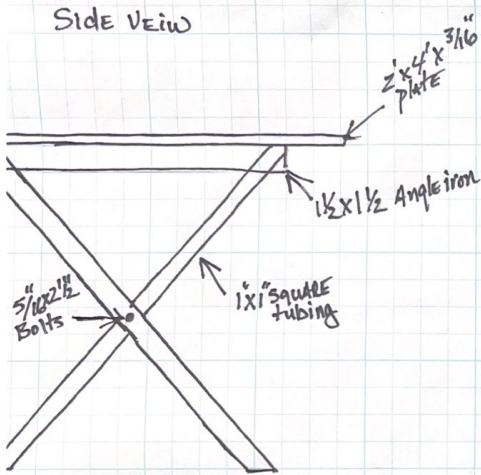
underside



All Holes Drilled
 5 will be 5/16\"/>

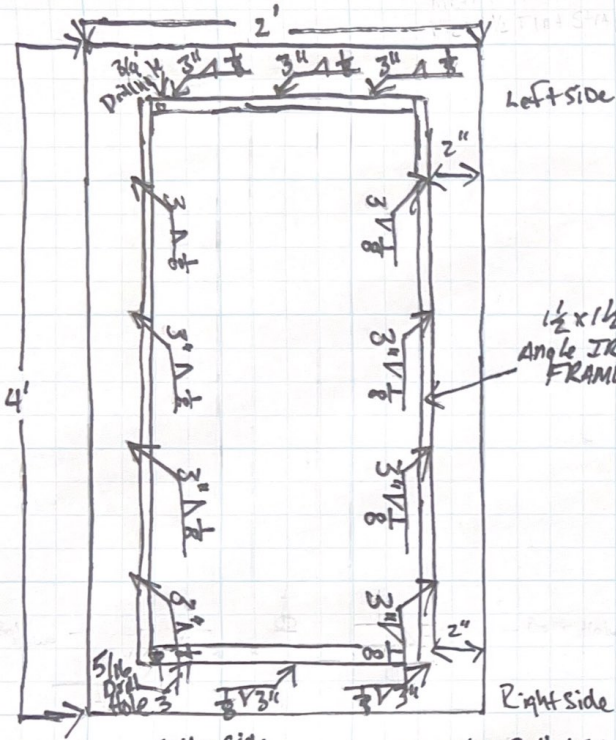


d off 2024
 le 11.15.24

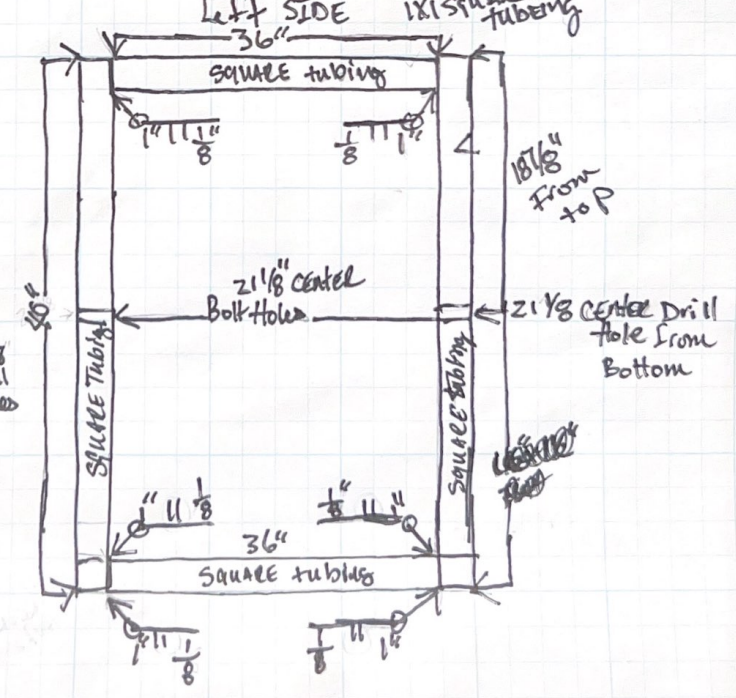
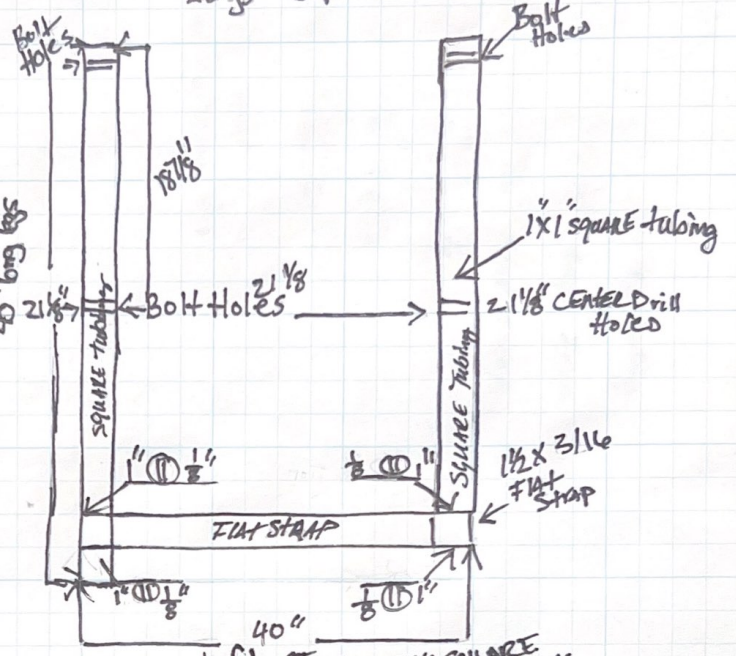


All Holes Drilled Both Legs Measurements
 5\"/>

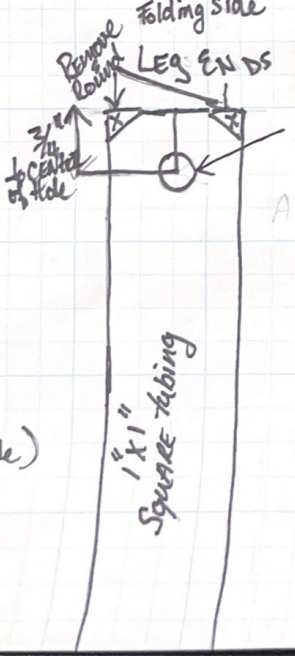
underside



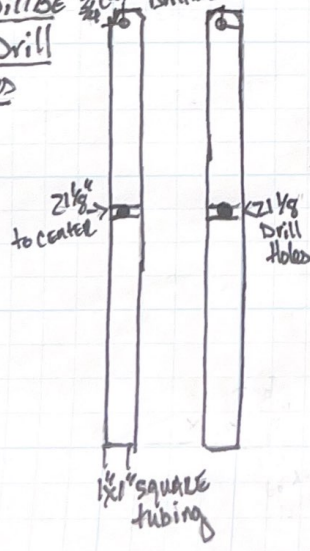
LEGS Right SIDE



Folding side LEG ENDS



All Holes Drilled Both Legs Measurements
 5/16" will be 2 1/8" center drill holes
 5/16" Drill Holes



(6 Hde)

Materials

- (1) 20' x 1" x 1" x 1/8" SQUARE tubing
- (1) 10' x 1 1/2" x 1 1/2" x 1/8" ANGLE IRON
- (1) 40" x 1 1/8" x 3/16" Flat strap
- (1) 2' x 4' x 3/16" plate
- (2) 1 1/2" x 5/16" bolts
- (2) 2 1/2" x 5/16" bolts
- (4) 5/16" nuts
- (8) 3/16 flat washers