

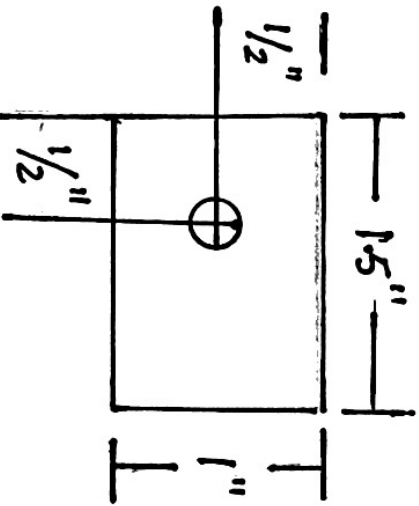
COYOTE BUILD OFF 2026 COLAPSABLE SHEEP STAND

1. MATERIAL LIST:

- a. 1 1/2" ANGEL IRON - 21' (1- FULL STICK, 1- 2' PIECE)
- b. 1" SQUARE TUBING - 15' (1- FULL STICK)
- c. 2" X 1/8" FLAT STRAP - 3" PIECE
- d. 1/2" EXPANDED METAL - 24" X 60" PIECE
- e. 1/4" ROUND BAR - (2) 2' PIECE
- f. 1/2" ROUND BAR - 10" PIECE
- g. 3/8" PIPE - 4" PIECE
- h. 1" X 30" PRECUT BRACE - 2 PIECES
- i. (6) 5/16" X 1 1/2" BOLTS WITH LOCKING NUTS
- j. (3) 1/4" LOCKING PINS

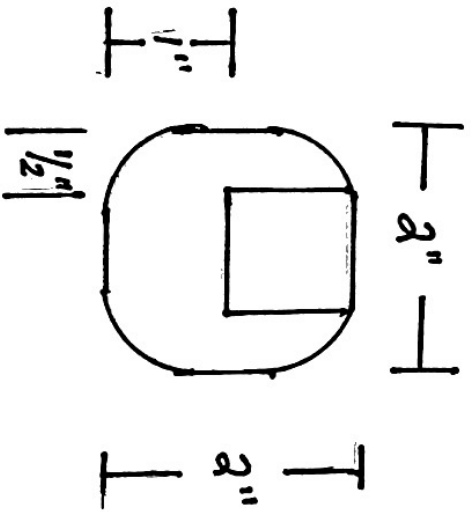
MATERIAL ID
1. 1 1/2" ANGLE
2. 1" TUBING
3. 2" FLAT STRAP
4. 1/2" EXPANDED METAL
5. 1/4" ROUND BAR
6. 1/2" ROUND BAR
7. 3/8" PIPE

1" X 1 1/2" TAB WITH 5/16" HOLE (13)



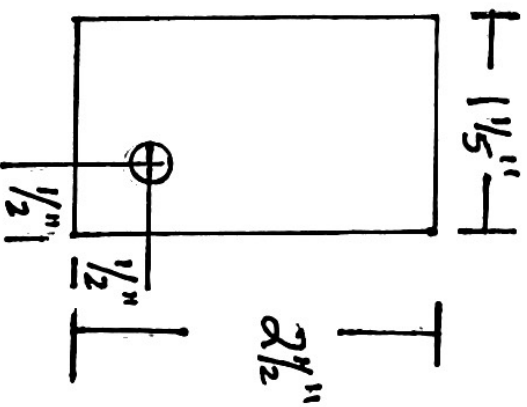
3

2" X 2" FOOT PLATE FOR LEGS (4)



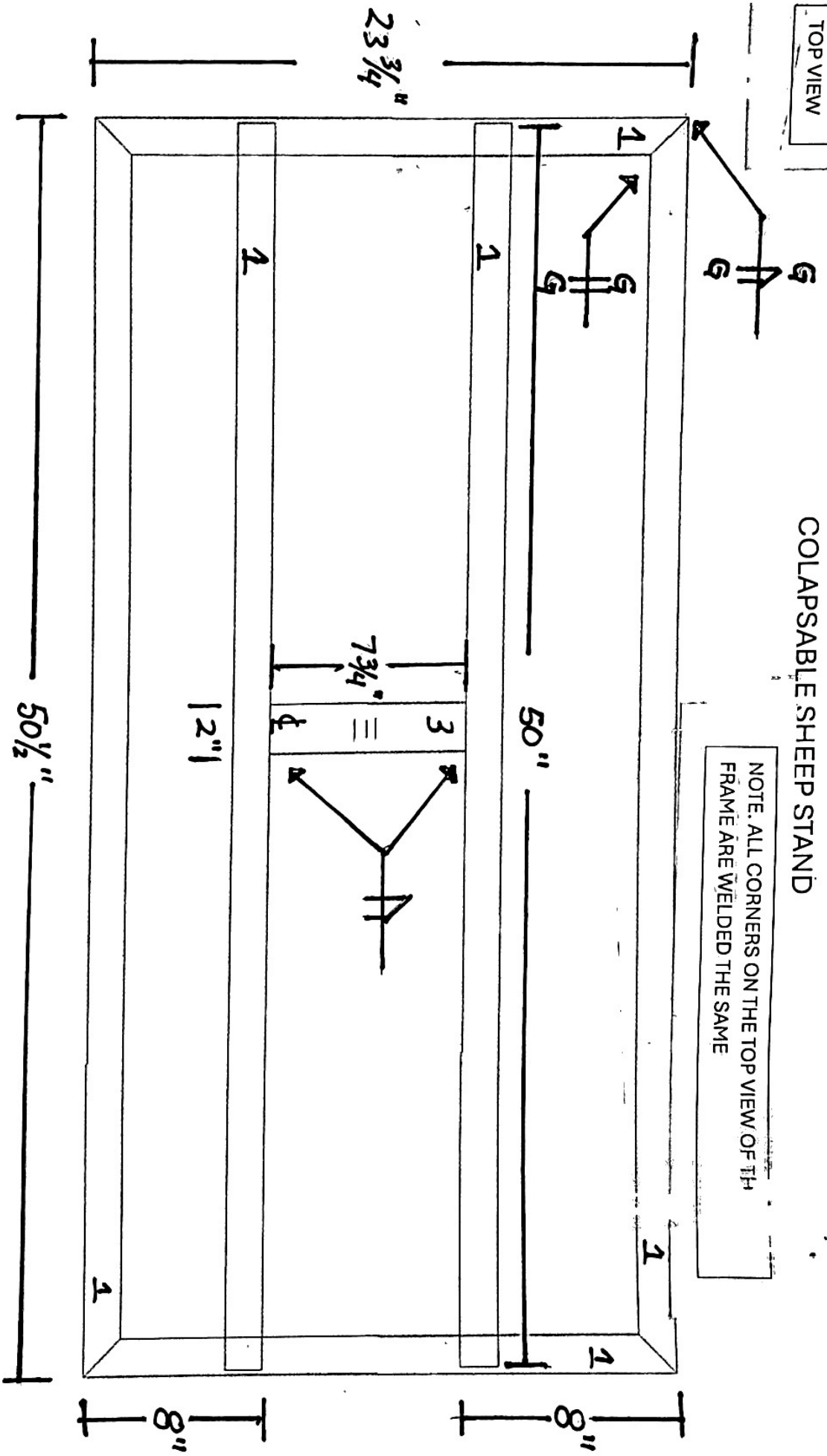
3

2 1/2" X 1 1/2" HINGE PLATE FOR LEGS (4)



3

TOP VIEW



COYOTE BUILD OFF 2026 COLAPSABLE SHEEP STAND

NOTE: ALL CORNERS ON THE TOP VIEW OF THE FRAME ARE WELDED THE SAME

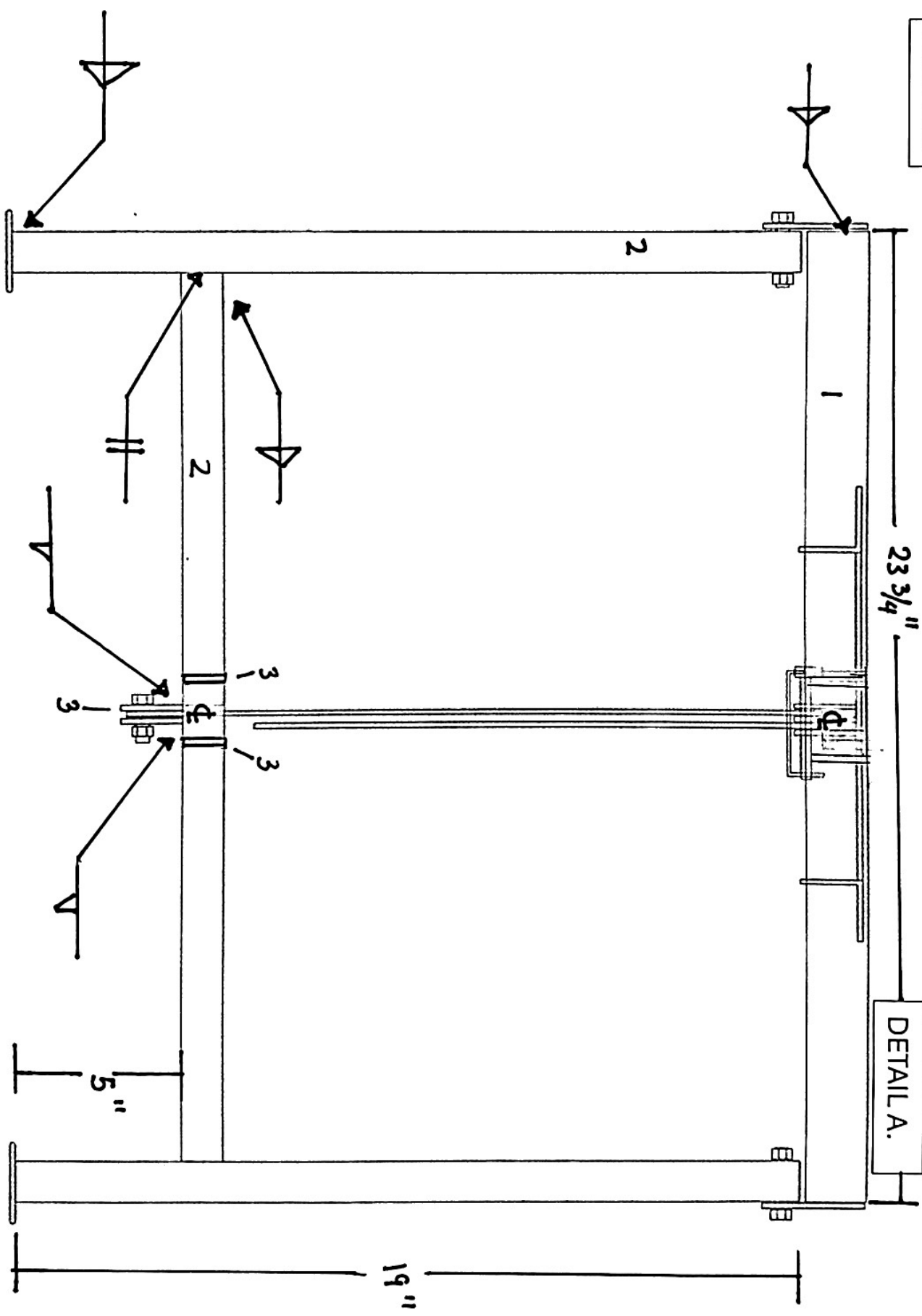
NOTE: EXPANDED METAL WILL NEED TO BE PLACED BETWEEN THE OUTSIDE FRAME AND INNER ANGLE IRON STRUCTURE. STITCH WELD THE EXPANDED METAL ON A (2-4) WELDING SPACING.

FRONT VIEW

COYOTE BUILD OFF 2026
COLAPSABLE SHEEP STAND

23 3/4"

DETAIL A.

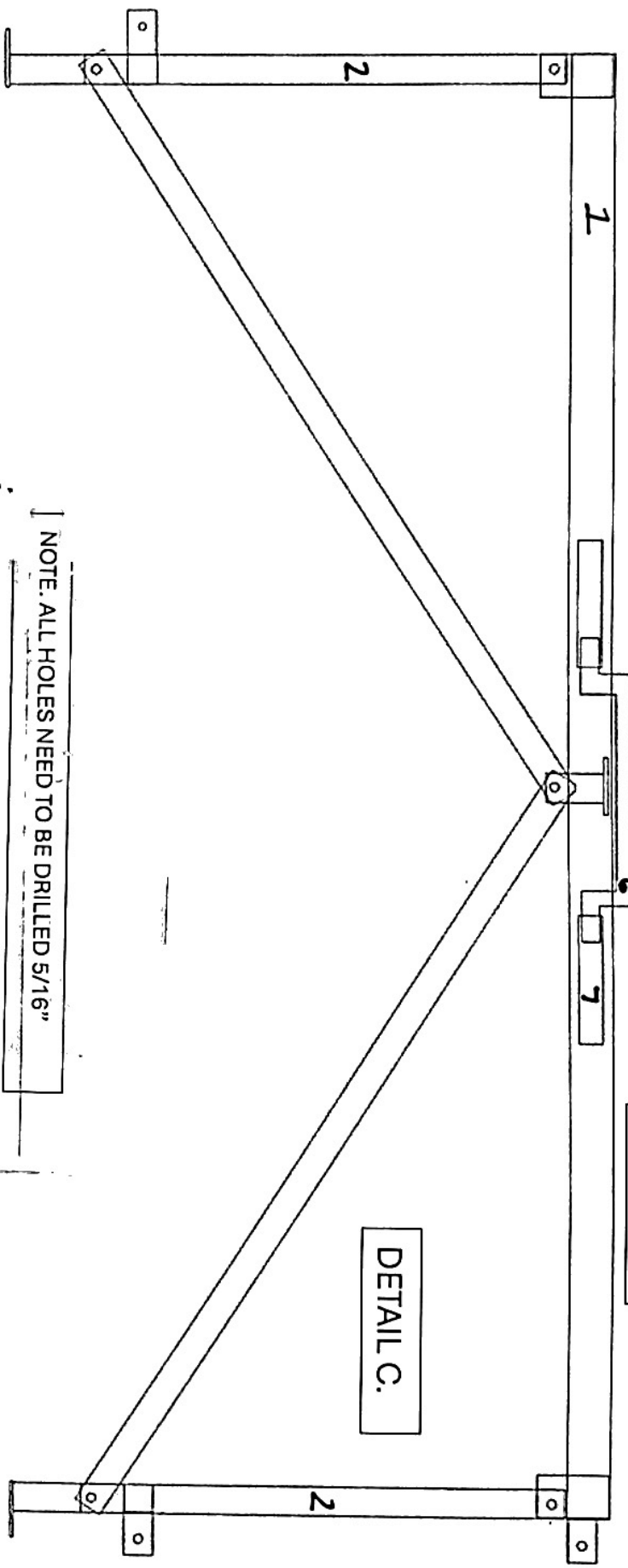


SIDE VIEW

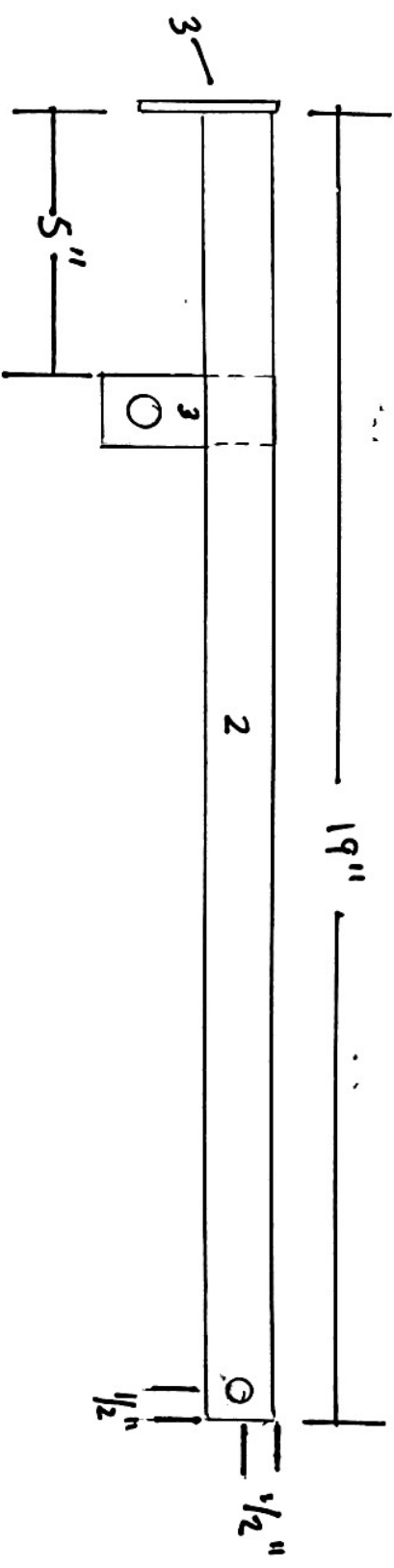
COYOTE BUILD OFF 2026
COLAPSABLE SHEEP STAND

DETAIL B.

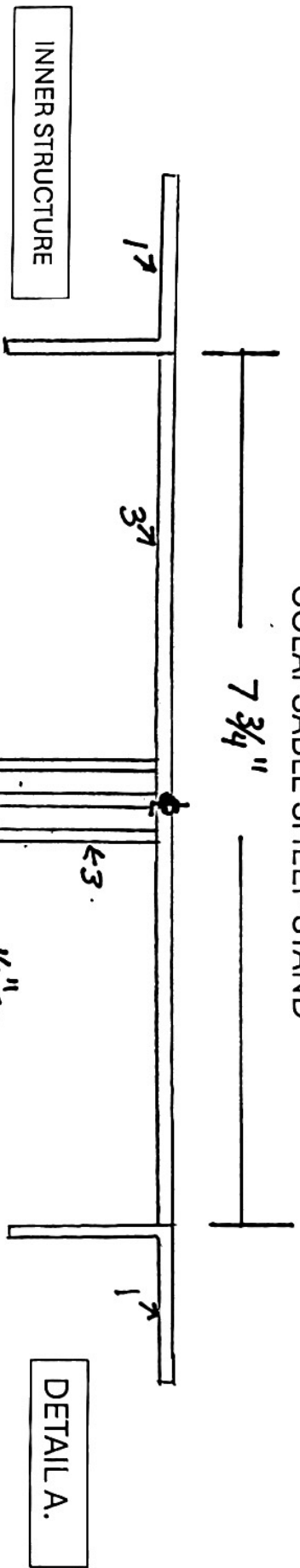
DETAIL C.



NOTE: ALL HOLES NEED TO BE DRILLED 5/16"

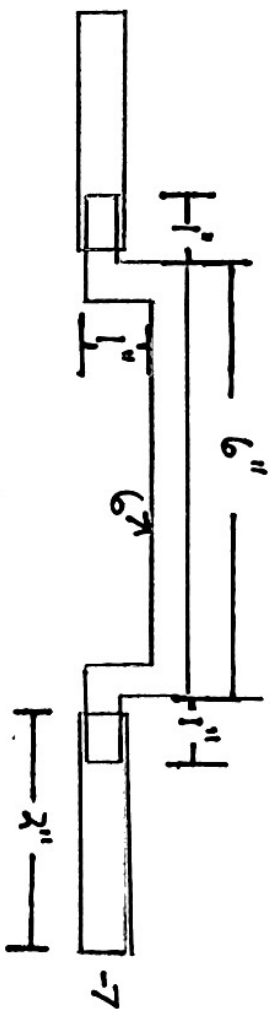


COYOTE BUILD OFF 2026 COLAPSABLE SHEEP STAND



NOTE. EXPANDED METAL SHOULD BE BETWEEN FRAME AND INNER STRUCTURE

HANDLE



NOTE. HEAT BEND THE 1/2" ROUND BAR TO CREATE A 6" HANDLE WITH A 1" SPACE FROM FRAME AND A 1" PIECE TO CONNECT TO THE 3/8" PIPE SO THE HANDLE WILL SWIVEL.

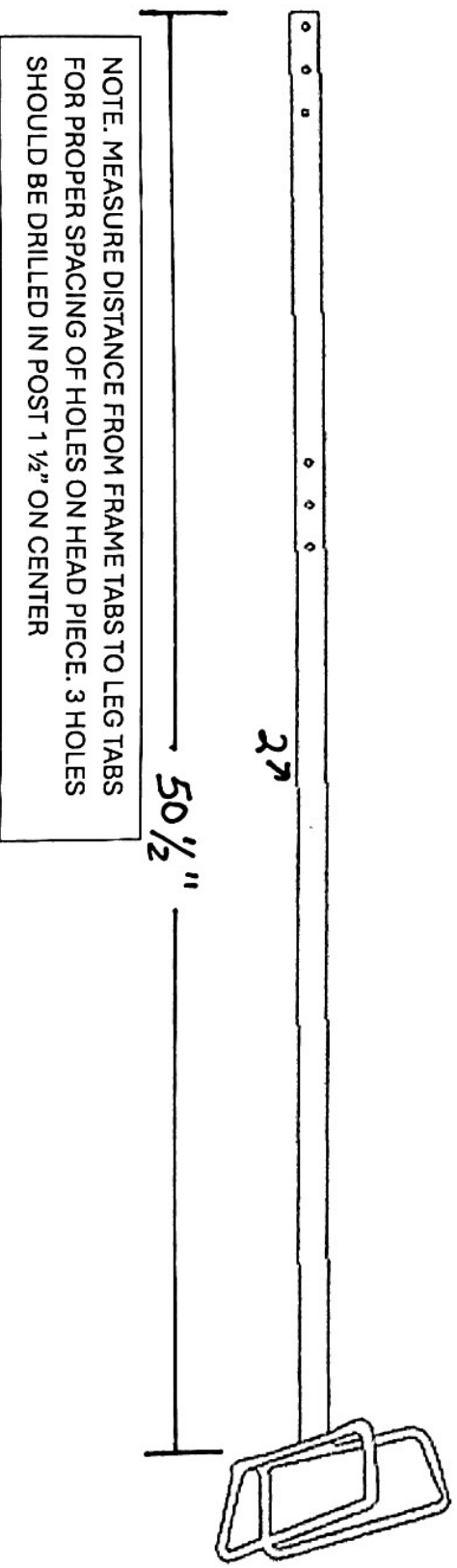
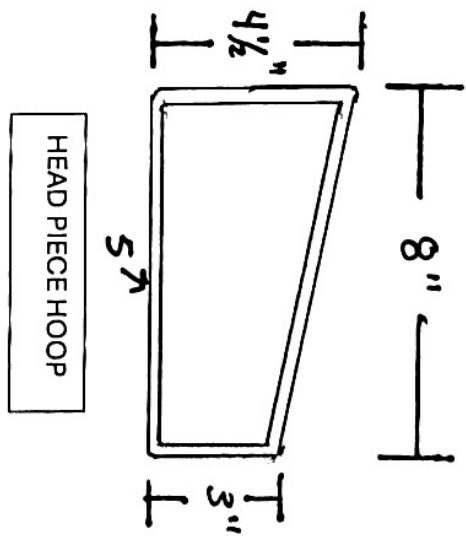
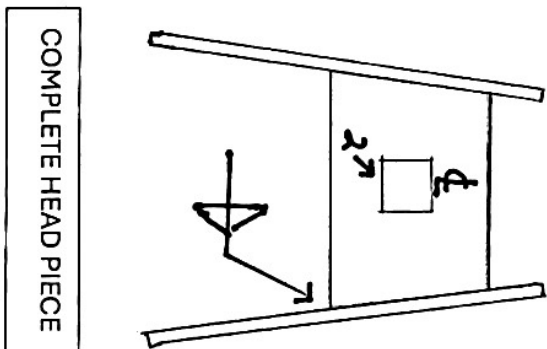
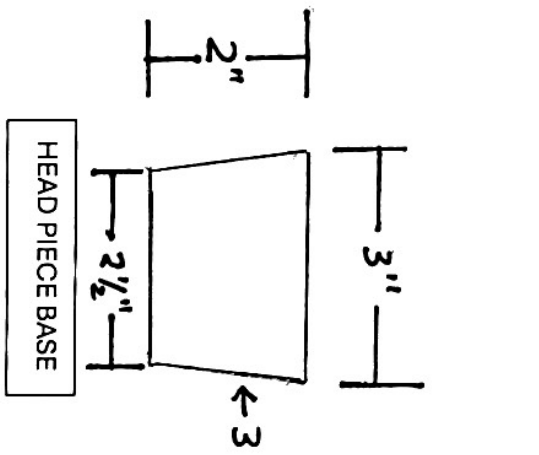
DETAIL B.

LEG BRACE



NOTE. LEG BRACE NEEDS THREE 5/16" HOLES, ONE AT EACH END AND THE THIRD HOLE NEEDS TO BE DRILLED TO MEET THE CENTER TABS WHEN IN THE COLAPSED POSITION.

COYOTE BUILD OFF 2026 COLAPSABLE SHEEP STAND



COYOTE BUILD OFF 2026
COLAPSABLE SHEEP STAND

HOURLY GOALS.

HOUR 1	
HOUR 2	
HOUR 3	
HOUR 4	
HOURS	
HOUR 6	